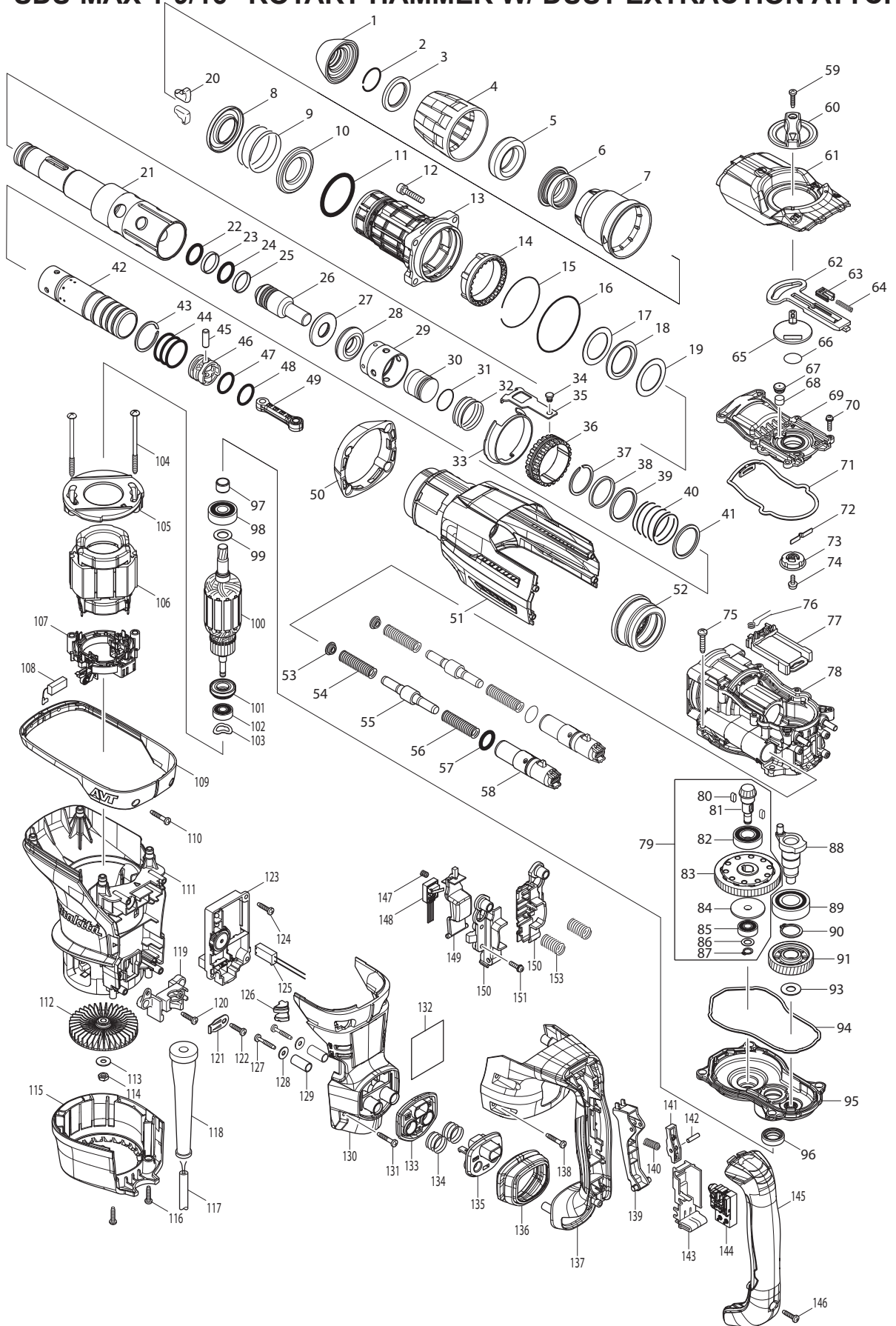




12 - 2013
HR4013C
SDS-MAX 1-9/16" ROTARY HAMMER
HR4013CV
SDS-MAX 1-9/16" ROTARY HAMMER W/ DUST EXTRACTION ATTCHMENT



Item #	Type	Part No	Description	Qty	Unit
1		286292-7	TOOL HOLDER CAP	1	PC.
2		233948-3	RING SPRING 25	1	PC.
3		257308-5	RING 28	1	PC.
4		454330-5	CHUCK COVER	1	PC.
5		262167-4	RUBBER RING 30	1	PC.
6		326272-2	CHUCK RING	1	PC.
7		454331-3	RELEASE COVER	1	PC.
8		346670-4	SPRING GUIDE	1	PC.
9		234288-2	COMPRESSION SPRING 46	1	PC.
10		346670-4	SPRING GUIDE	1	PC.
11		213615-6	O RING 46	1	PC.
12		922351-0	HEX. SOCKET HEAD BOLT M6X30	4	PC.
13		141956-9	BARREL COMPLETE	1	PC.
	INC.	213246-1	O-RING 38 SA1004	1	PC.
	INC.	213490-0	OIL SEAL 32	1	PC.
	INC.	213492-6	O-RING 32	1	PC.
14		454337-1	LOCK SLEEVE	1	PC.
15		234290-5	RING SPRING 59	1	PC.
16		213707-1	O RING 65	1	PC.
17		267469-3	FLAT WASHER 32	1	PC.
18		262168-2	RUBBER RING 32	1	PC.
19		267469-3	FLAT WASHER 32	1	PC.
20		310257-8	TOOL RETAINER	2	PC.
21		326268-3	TOOL HOLDER	1	PC.
22		213317-4	O RING 20	1	PC.
23		213392-0	FLUORIDE RING 25	1	PC.
24		213317-4	O RING 20	1	PC.
25		213392-0	FLUORIDE RING 25	1	PC.
26		326269-1	IMPACT BOLT	1	PC.
27		326274-8	RING 17	1	PC.
28		262166-6	RUBBER RING 18	1	PC.
29		454347-8	SLIDE SLEEVE	1	PC.
30		326270-6	STRIKER	1	PC.
31		213695-2	O-RING 22	1	PC.
32		234289-0	COMPRESSION SPRING 33	1	PC.
33		346673-8	GUIDE RING	1	PC.
34		256548-2	FLAT FILLISTER HEAD PIN 6	1	PC.
35		346671-2	LINK PLATE	1	PC.
36		313255-1	DRIVING SLEEVE	1	PC.
37		257991-8	RETAINING RING (EXT) WR-32.5	1	PC.
38		257340-9	RING 33	1	PC.
39		267470-8	FLAT WASHER 33	1	PC.
40		234287-4	COMPRESSION SPRING 34	1	PC.
41		267470-8	FLAT WASHER 33	1	PC.
42		332063-1	CYLINDER 28.5	1	PC.
43		257991-8	RETAINING RING (EXT) WR-32.5	1	PC.
44		213406-5	O RING 30	3	PC.
45		256197-5	PIN 7	1	PC.
46		419004-5	PISTON	1	PC.
47		213379-2	O RING 21	1	PC.
48		213695-2	O-RING 22	1	PC.
49		454317-7	CONNECTING ROD	1	PC.
50		424560-2	HOUSING CAP	1	PC.
51		141957-7	HOUSING COVER A COMPLETE	1	PC.
52		227613-4	SPIRAL BEVEL GEAR 26	1	PC.
53		454342-8	SPRING PLATE	2	PC.

Item #	Type	Part No	Description	Qty	Unit
54		234286-6	COMPRESSION SPRING 11	2	PC.
55		326273-0	COUNTER WEIGHT	2	PC.
56		234286-6	COMPRESSION SPRING 11	2	PC.
57		213325-5	O RING 19	2	PC.
58		142289-5	HOLDER COMPLETE	2	PC.
59		265995-6	TAPPING SCREW 4X18	1	PC.
60		454326-6	CHANGE LEVER	1	PC.
61		318988-3	CRANK CAP COVER	1	PC.
62		454339-7	CONTROL PLATE	1	PC.
63		454340-2	SLIDE PLATE	1	PC.
64		234284-0	COMPRESSION SPRING 4	1	PC.
65		454345-2	CRANK LEVER	1	PC.
66		213262-3	O RING 18	1	PC.
67		424556-3	FILTER CAP	1	PC.
68		443182-9	FILTER	1	PC.
69		454319-3	CRANK CAP	1	PC.
70		911128-8	PAN HEAD SCREW M4X16	6	PC.
71		424559-7	SEAL RING B	1	PC.
72		232280-2	LEAF SPRING	1	PC.
73		454318-5	LINK LEVER	1	PC.
74		911511-9	PAN HEAD SCREW M4X10	1	PC.
75		266041-8	TAPPING SCREW 5X25	4	PC.
76		233603-7	TORSION SPRING 7	1	PC.
77		454338-9	LINK GUIDE	1	PC.
78		141953-5	CRANK HOUSING A COMPLETE	1	PC.
79		126290-8	TORQUE LIMITER ASSEMBLY	1	PC.
	INC.		Item. 80-87		
80		254239-9	KEY 4	2	PC.
81		227612-6	SPIRAL BEVEL GEAR 7	1	PC.
82		211232-6	BALL BEARING 6002LLU	1	PC.
83		141959-3	TORQUE LIMITER COMPLETE	1	PC.
84		324727-1	SHOULDER WASHER 8	1	PC.
85		210005-4	BALL BEARING 608DDW	1	PC.
86		253215-0	FLAT WASHER 8	1	PC.
87		961004-6	RETAINING RING S-8	1	PC.
88		326271-4	CRANK SHAFT	1	PC.
89		211332-2	BALL BEARING 6004LLU	1	PC.
90		961060-6	RETAINING RING S-20	1	PC.
91		227772-4	HELICAL GEAR 37	1	PC.
93		253180-3	FLAT WASHER 10	1	PC.
94		424558-9	SEAL RING A	1	PC.
95		141955-1	GEAR HOUSING COMPLETE	1	PC.
96		213231-4	OIL SEAL 15	1	PC.
97		331596-3	SLEEVE 12	1	PC.
98		211137-0	BALL BEARING 6201LLU	1	PC.
99		253744-3	FLAT WASHER 12	1	PC.
100		513886-8	ARMATURE ASS'Y 115V	1	PC.
	INC.		Item. 97,98,99,101,102		
101		681650-6	INSULATION WASHER	1	PC.
102		210005-4	BALL BEARING 608DDW	1	PC.
103		267721-9	WAVE WASHER 15	1	PC.
104		266568-8	TAPPING SCREW 5X80	2	PC.
105		454329-0	BAFFLE PLATE	1	PC.
106		625756-0	FIELD 115V	1	PC.
107		632A84-2	BRUSH HOLDE UNIT	1	PC.
108		195004-6	CARBON BRUSH SET CB-350 2/SET	1	SET

Item #	Type	Part No	Description	Qty	Unit
109		454348-6	GUARD 40	1	PC.
110		265999-8	TAPPING SCREW 4X25	2	PC.
111		454316-9	MOTOR HOUSING	1	PC.
112		240146-2	FAN 76	1	PC.
113		253047-5	FLAT WASHER 6	1	PC.
114		931303-0	HEX. NUT M6	1	PC.
115		454328-2	REAR COVER	1	PC.
116		265995-6	TAPPING SCREW 4X18	2	PC.
117		664276-9	CORD W/PLUG 2P-16-5.0M,SJ	1	PC.
118		682560-0	CORD GUARD 10	1	PC.
119		419024-9	CORD CLAMP BASE	1	PC.
120		265995-6	TAPPING SCREW 4X18	1	PC.
121		687169-3	STRAIN RELIEF	1	PC.
122		265995-6	TAPPING SCREW 4X18	1	PC.
123		620199-1	CONTROLLER	1	PC.
124		265995-6	TAPPING SCREW 4X18	1	PC.
125		632B52-1	LEAD UNIT	1	PC.
126		454346-0	LENS	1	PC.
127		265999-8	TAPPING SCREW 4X25	2	PC.
128		253194-2	FLAT WASHER 5	2	PC.
129		257813-2	SLEEVE 9	2	PC.
130		454320-8	HANDLE BASE	1	PC.
131		266041-8	TAPPING SCREW 5X25	2	PC.
132		814T16-7	NAME PLATE F/HR4013C	1	PC.
133		454343-6	DUST SUPPORT A	1	PC.
134		234283-2	COMPRESSION SPRING 18.5	2	PC.
135		454344-4	DUST SUPPORT B	1	PC.
136		424557-1	DUST COVER	1	PC.
137		454321-6	HANDLE A	1	PC.
138		265999-8	TAPPING SCREW 4X25	4	PC.
139		454332-1	SWITCH LEVER A	1	PC.
140		234285-8	COMPRESSION SPRING 7	1	PC.
141		454327-4	SUB LEVER	1	PC.
142		268309-8	PIN	1	PC.
143		154626-1	SWITCH HOLDER COMPLETE	1	PC.
144		650678-5	SWITCH C3PA-1121	1	PC.
145		454323-2	HANDLE COVER	1	PC.
146		265995-6	TAPPING SCREW 4X18	1	PC.
147		234281-6	COMPRESSION SPRING 6	1	PC.
148		632A83-4	SWITCH UNIT	1	PC.
149		454336-3	SWITCH LEVER C	1	PC.
150		187692-3	SWITCH CASE SET	1	SET
151		911128-8	PAN HEAD SCREW M4X16	4	PC.
153		234282-4	COMPRESSION SPRING 12	2	PC.

Item #	Type	Part No	Description	Qty	Unit
ACCESSORIES					
- See Catalogue or visit www.makita.ca for more accessories -					
A01		123138-5	SIDE GRIP ASSEMBLY	1	PC.
A02		196792-8	SIDE HANDLE 73 SET , D-SHAPE	1	PC.
A04		141977-1	PLASTIC CARRYING CASE COMPLETE F/HR4013C	1	PC.
	INC.	162271-8	LATCH	2	PC.
		196531-6	PLASTIC CASE SET F/HR4013CV	1	PC.
	INC.	837544-5	INNER TRAY	1	PC.
	INC.	162271-8	LATCH	2	PC.
A05		331955-1	DEPTH GAUGE	1	PC.
A06		443122-7	CLOTH	1	PC.
A11		123066-4	DEPTH GAUGE B ASSEMBLY	1	PC.
A12		162356-0	DUST COVER COMPLETE	1	PC.
A13		424472-9	DUST COVER CAP	2	PC.
A14		453115-6	JOINT	2	PC.
A15		453118-0	BELLOWS	2	PC.
A16		453674-0	JOINT 25	1	PC.
A17		454809-6	HOSE HOLDER C	1	PC.
A18		196536-6	DUST EXTRACTOR ATTACHMENT SET	1	PC.
	INC.	123066-4	DEPTH GAUGE B ASSEMBLY	1	PC.
	INC.	-----	PLASTIC CASE COMPLETE (N/A Individually)	1	PC.
	INC.	162356-0	DUST COVER COMPLETE	1	PC.
	INC.	424472-9	DUST COVER CAP	2	PC.
	INC.	453115-6	JOINT	2	PC.
	INC.	453118-0	BELLOWS	2	PC.
	INC.	453674-0	JOINT 25	1	PC.
	INC.	454809-6	HOSE HOLDER C	1	PC.
	INC.	687010-0	BAND	1	PC.
	INC.	-----	PLASTIC CASE LABEL (N/A Individually)	2	PC.
	INC.	-----	CARTON (Master) (N/A Individually)	0.5	PC.
	INC.	-----	Instruction Manual 30Language (N/A Individually)	1	PC.
A19		196532-4	HAMMER SERVICE KIT	1	PC.